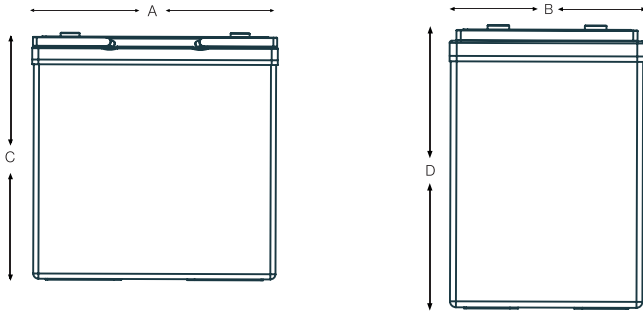
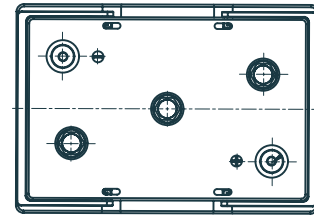


EQ-GC2

Carbon Nano Gel Bloc



Left - Negative Right - Positive



Electrical Specifications

Voltage	6V
M.R.C. 25 Amps	435
80% DOD Voltage Cutoff	5.6V
Low Voltage Cutoff	5.4V
Self Discharge	Less than 3% per month (20°C/68°F)
Charge Temperature	Min: -10°C (14°F) / Max: 50°C (122°F)
Discharge Temperature**	Min: -40°C (-40°F) / Max: 50°C (122°F)
Storage	Min: -20°C (-4°F) / Max: 60°C (140°F)

Cell Type Ue (100%) / VPC Ref Temp	C5 1.70 25°C	C10 1.75 25°C	C20 1.75 25°C	C100 1.80 25°C
EQ-GC2	180	194	206	221

** CAUTION: Depths of discharge, operating voltages and currents, when designing systems for use at maximum temperatures, will vary.

Mechanical Specifications

Industry Reference	GC2	
Length (A)	10.2in	260mm
Width (B)	7.1in	180mm
Height (C)	10.1in	258mm
Weight	72.8 lbs	33kgs
Terminal (Opt'l)	M8	
Cell(s)	3	
Electrolyte	Gel	
Terminal Torque Nm	8	

NOTE: There is a tolerance of +/-2%.

Terminal Options Available:

- M8
- A-Pole
- Dual
- Stud

Features

- Maintenance free - no topping up required
- Ultra energy efficient due to low resistance
- Reduced operating temperatures for increased cycle life (>1500 cycles) and battery lifetime
- Cost savings due to increased efficiency
- Up to 2 x faster recharge
- Increased design life from 12 to 15 years
- Allows for opportunity charging to give you those extra running times when required
- Suitable for extreme temperature variants

Applications: all motive, leisure & solar:

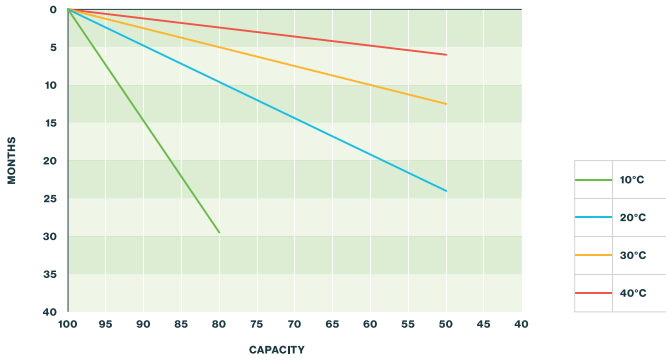
- Electric vehicles, including cleaning machines
- Wheelchairs
- Electric Working Platforms
- UPS Systems
- Traffic Systems
- Telecommunications & Emergency Lighting
- Caravans / Motorhomes RV's & Maritime
- Solar & Renewable Energy & Home Invertor

Charging profile

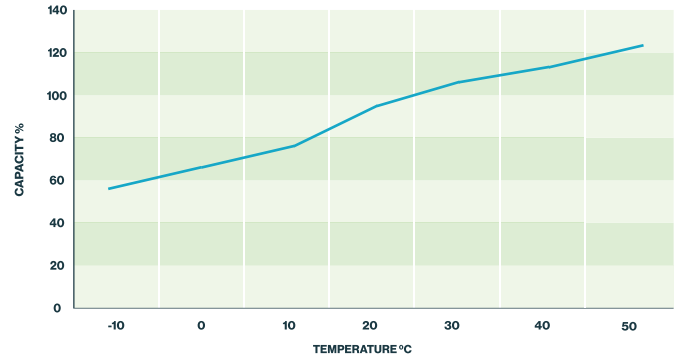
IU Charging I = min. 12% C₅ max. 30% C₅
U = 2.4 V per cell

IUI Charging I₁ = min. 12% C₅ max. 40% C₅
U = 2.35 V per cell
I₂ = 1.5% C₅ for max. 4 hours

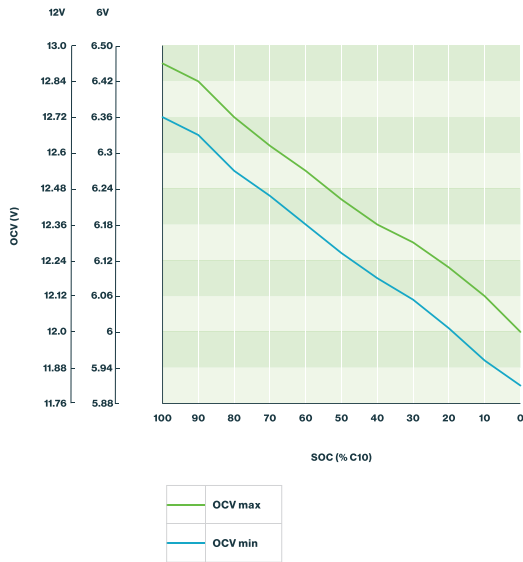
Self discharge at different temperatures



Capacity vs. temperature



Storage: Determine the state of charge



Relation between charging, voltage and temperature

